



>>> Survivair Opti-Fit™ APR

Models: 7520/7620/7720/7521/7621/7721

Replacement Part Ordering Information

REFERENCE	ITEM NUMBER	DESCRIPTION
1A	702009	Headstrap/TPE
1B	702090	Black Mesh Headnet Kit (Includes Tightening Straps)
2	962157	Silicone Skirt/Small
2	962167	Silicone Skirt/Medium
2	962177	Silicone Skirt/Large
3	702007	Replacement Lens with Anti-Scratch Coating
4	962031	Upper Rim
5	962037	Lower Rim
6	839102	Screw
7	B140001	Inhalation Valve (6/pkg)
8	702035	Connector Kit (2/pkg)/Includes (2) Twin Seals
9	702037	Twin Seal (2/pkg)
10	B140005	Exhalation Valve (4/pkg)
11	820261	O-Ring
	910699	Christolube Lubricant (for Item 11)
12	702003	Nozzle
13	702004	Cover
14	962090	Valve Holder
15	702023	Nose Cup/Medium/Black (Standard)
15	962147	Nose Cup/Small/Black (Optional)
15	702025	Nose Cup/Large/Black (Optional)
16	702016	Short Buckle Strap/TPE
17	702012	Long Buckle Strap/TPE
18	702011	Buckle
19	702008	D-Ring

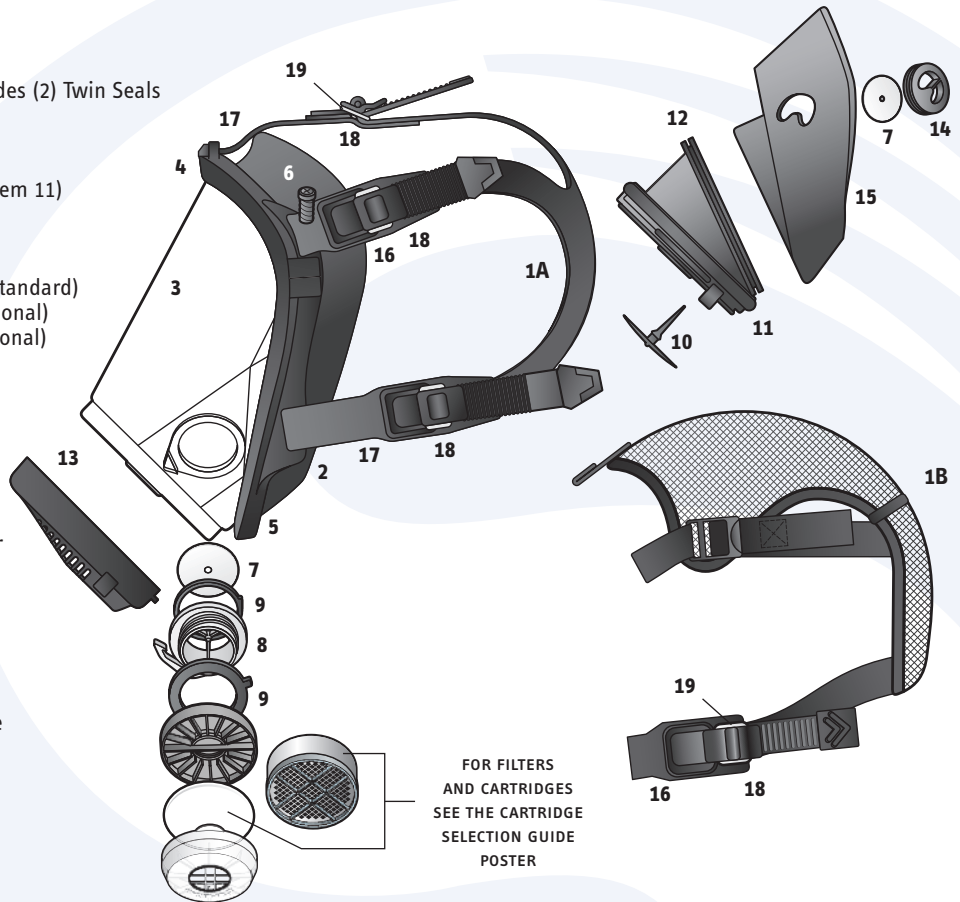
OPTIONAL NOSE CUP KITS

(includes # 7, 14, 15)

702074	Nose Cup Kit/Small/Clear
702075	Nose Cup Kit/Medium/Clear
702076	Nose Cup Kit/Large/Clear

ACCESSORIES

702019	Tinted Lens Cover (25/pkg)
702028	Clear Lens Cover (25/pkg)
962260	Spectacles Kit
702031	Neck Strap Kit
260108	Operation and Maintenance DVD/English and Spanish



FOR FILTERS AND CARTRIDGES SEE THE CARTRIDGE SELECTION GUIDE POSTER



For ordering and technical assistance, call 800 821-7236 • www.sperian.com

Sperian Respiratory Protection USA, LLC | 3001 South Susan Street, Santa Ana, CA 92704