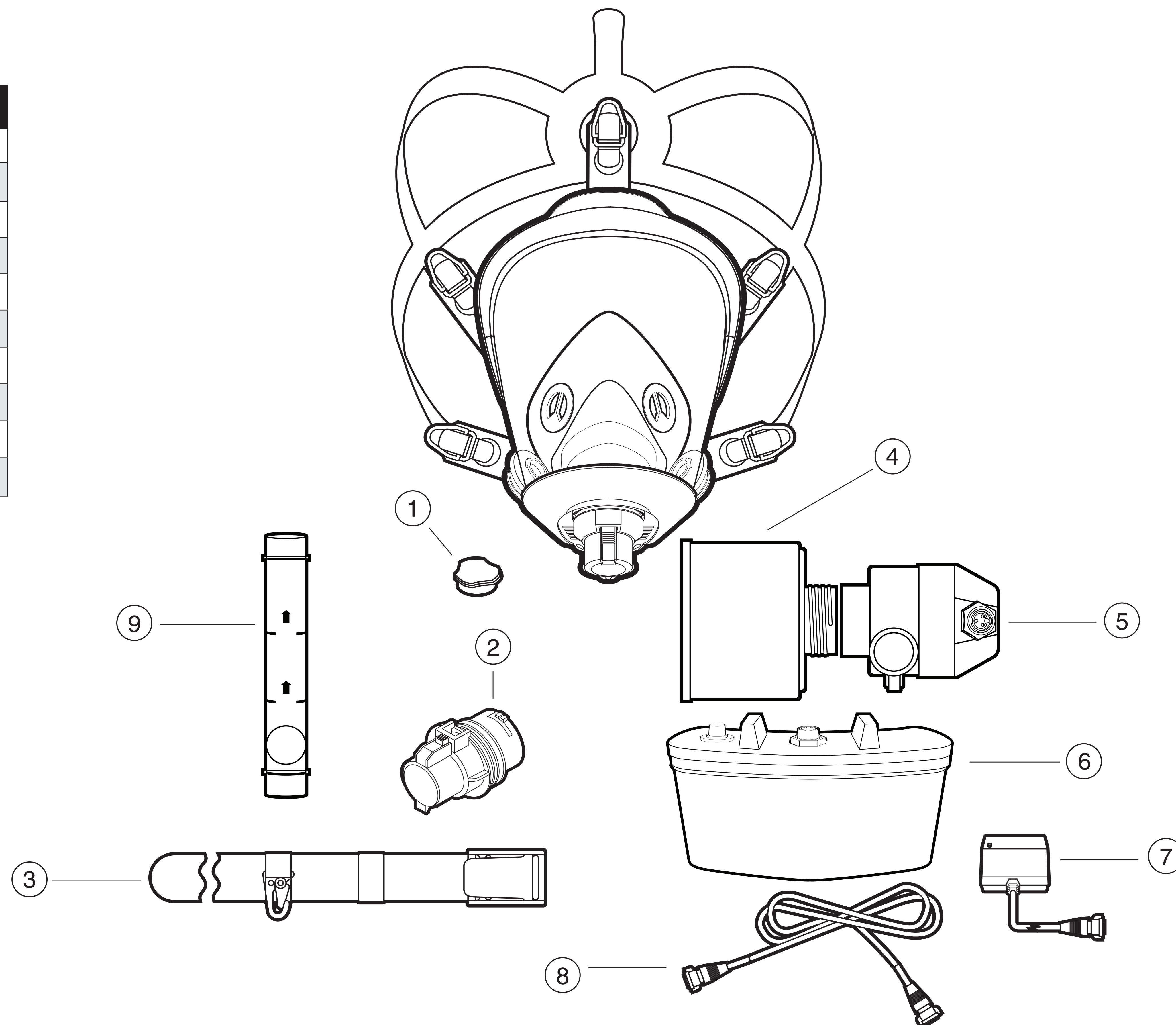


# Respiratory Replacement Parts Guide

## Powered Air-Purifying Respirator (PAPR): PR500 Series

Diagram Number	Part #	Description
1	805007	Cartridge Connector Cap
2	50123586-001	Nozzle Adapter Assembly
3	985231	Belt, Nylon
4	108000-H5	HEPA Cartridge (box of 4)
4	108044	HEPA Cartridge (case of 84)
5	520020	Blower Unit
6	520060	Battery Pack
7	520073	Battery Charger
8	520030	Power Cord
9	580012	Air Flow Meter



**▲WARNING!** Failure to inspect and correctly maintain your supplied air system and/or to replace any damaged components, including the breathing tube and block assembly, head cover, all couplers and breathing air hose, the air supply source, and all other components of this system can result in the unit not operating correctly and will expose the user to serious illness, injury or death. Carefully follow all of the cleaning and maintenance procedures outlined in the PR500 Series Operating and Maintenance Instruction Manual.

For more information contact:  
Honeywell Technical Service  
**800.873.5242** – option 2 for Respiratory  
[www.honeywellsafety.com](http://www.honeywellsafety.com)