

# CLEARFLOW 3 FILTRATION UNIT

## WALL-MOUNTED

### PART #:

**17 639 03**

CL3 with 2 CEJN outlets Airvisor

**17 639 05**

CL3 with 2 RBE 06 Outlets

**17 639 11**

CL3 with 2 double action outlets

**17 639 09**

CL3 with 2 free outlets



## PORTABLE PART #:

**17 639 04** CL3 with 2 CEJN outlets Airvisor

**17 639 06**

CL3 with 2 RBE 06 outlets

**17 639 12**

CL3 with 2 double action outlets

**17 639 10**

CL3 with 2 free outlets



## Description

The Clearflow 3 compressed air filtration unit has been designed to deliver high quality breathable air to a range of respiratory devices. Compressed air factory network contained particles and traces of oil and water, Clearflow 3 removes these through its coalescing filter. Where the removal of oil vapour and odour is necessary the use of a carbon absorber filter is required. The Clearflow 3 range is available in wall mounted and portable stand versions.

The Clearflow 3 can supply breathable air for up to four operators using supplied air respirators, or up to two operators using respirators in combination with auxiliary tools such as hand held paint spraying equipment.

## Applications *(Depending on face-piece used with it)*

Typical usage are :

- Handling or maintenance in Oil & Gas industry environment.
- Handling or maintenance in Chemical industry environment.
- Painting or varnish in automotive industry.
- Work close to viruses or bacteria inside laboratory.

## Benefits

- High filtration capacity due to high flow system (no flow change when connecting auxiliary tools), high efficiency coalescing filter and high capacity carbon filter.
- New one piece compact design which offers easy use and easy maintenance.
- Provides security to worker with its differential pressure indicator (no bad value judgment).
- Can be used for up to 4 workers.
- The Clearflow 3 system is available in various configurations: different outlets, wall-mounted or stand, used with PPE

## Characteristics

• **Material:** Aluminium bodied filters, regulators with some plastic and brass components.

Supply with CEJN, RBE, Double action or free Outlets but without Quick release connectors.

• **Technical Information :**

**Coalescing filter:** 1000 hours (or when colour change) filtration 99,97% to 0,01 micro

**Charcoal filter:** 1000 hours (or when odours are detected inside respiratory device)

**Air flow:** 1600l/mn maximum.

**Air pressure:** 8 bar maximum (102 psi).

### • Storage conditions :



	Portable version	Wall-mounted version
Net Weight	4,45 kg	1,90 kg
Product dimensions	33,5 x 38,5 x 34 cm	33 x 24 x 9 cm
Packaging dimensions <i>Individually packed</i>	46 x 45 x 48 cm	35 x 27 x 15 cm

*May be used by up to 4 operators with respiratory face pieces only or by up to 2 operators with face pieces and pneumatic tools.*

## Standards

The Clearflow system is not subject to the PPE directive.

## Product Use

### User's instructions for installation

#### Wall-Mounted system :

- Attach the wall-mounted on a flat wall near the work station.
- Keep enough space under the unit filtration to allow for removal of the covers and filters changes (40 cm).
- Connect the compressed air from factory to the isolation valve (1) with a male ½" BSP.
- Connect the respirator provided to the output (9) with a inner diameter hose of 14mm.

#### Portable stand system :

- The portable station can be positioned freely within the workplace.
- Connect the isolation valve (1) to the compressed air network using a male connector ½" BSP.
- The hose connecting the system to the network of compressed air should have an internal diameter of 14mm.
- Connect the respirator supplied to the output connections (9) with the specified hoses.

### Controls before use

- Carefully open the air inlet valve (1) slowly to prevent air too surges. Otherwise it could cause incorrect indications on the clogging indicator (6).
- The air pressure in the system is indicated by the pressure gauge (8) and can be adjusted using the valve regulator (7).
- When the air pressure is satisfactory, push the valve down to lock setting.
- The pressure must be adjusted taking into account the user manual of the respiratory equipment used up to 8 bar (102psi).

### Cleaning

The compressor must be inspected and the filter bowls must be purged regularly.

### Limitations of use

Clearflow 3 filter systems do not remove CO or CO2.

### Disposal

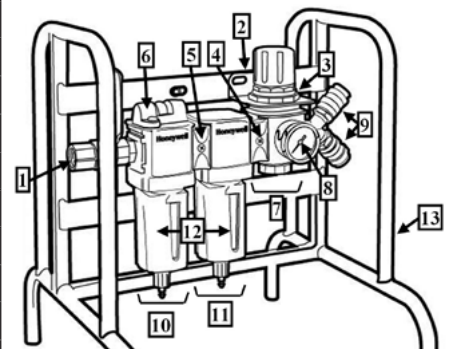
Filters must be disposed in accordance with the local waste disposal regulations.

## Maintenance

For details please refer to the user manual.



Numbers	Part Number	Description
N°1	17 633 41	Isolating Valve
N°2	17 639 23	Wall mounting bracket for regulator
N°3	17 639 22	Ring for regulator mounting bracket
N°4	17 639 26	Body connector (with 2 O-ring gaskets)
N°5	17 639 25	Body connector with wall support (with 2 O-ring gaskets)
	17 639 24	5 O-ring gaskets
N°6	17 639 21	Differential pressure indicator (available as a service/repair kit)
N°7	17 639 14	Differential pressure indicator (available as a service/repair kit)
N°8	10 017 07	Pressure gauge
N°9	10 017 22	Quick release outlet socket (CEJN for use with Airvisor)
	17 634 20	Quick release outlet socket (RBE6)
	17 634 22	Quick release outlet socket (AQR6)
	17 639 20	Quick release outlet socket (double action for use with Airvisor 2 DHC)
N°10	17 639 28	Replacement coalescing filter stage (complete, supplied with inlet adaptor)
	17 639 08	Coalescing filter element
N°11	17 639 16	Replacement absorber filter stage
	17 639 07	Absorber filter element
N°12	17 639 27	Filter element cover (with manual drain)
N°13	10 170 50	Stand (complete with fixing bolts)
	10 050 60	Doubling kit for use with Airvisor ("Y" piece + one CEJN connector)
	17 633 33	Doubling kit AQR ("Y" piece + one AQR 06 connector)
	17 633 35	Doubling kit RBE ("Y" piece + one RBE 06 connector)
	17 639 29	Doubling kit double action ("Y" piece + one double action connector)



### Honeywell Safety Products

Sperian Protection UK LTD

Unit 3 Elmwood - Chineham Park - Basingstoke - RG24 8WG - United Kingdom

Phone: +44 (0) 1256 693 200 - Fax: +44 (0) 1256 693 300

Email: info-uk.hsp@honeywell.com

**Honeywell**